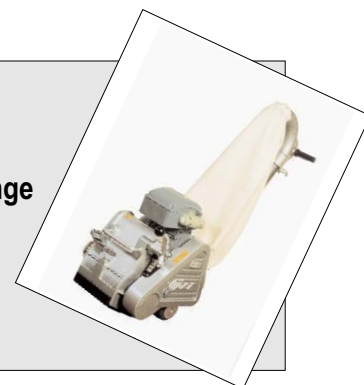




## Serviceordner 2005

### Ersatzteilliste / Spare parts list / Liste des pièces de rechange FRANK Parkettschleifmaschine VIPER, Artikel-Nr. 013661

Jahrgang: 10/2004 bis heute



| Pos   | Stck | SAP   | Bezeichnung                     | Description             | Dénomination                            |
|-------|------|-------|---------------------------------|-------------------------|---|
| 1.00  | 1    | 16461 | Maschinenunterteil              | Base of the machine     | Subdivise d' machine                    |
| 1.01  | 1    | 18152 | Sechskantschraube DIN 933 M8x80 | Hexagon bolt            | Vis à tête hexagonale                   |
| 1.02  | 1    | 18152 | Sechskantschraube DIN 933 M8x80 | Hexagon bolt            | Vis à tête hexagonale                   |
| 1.03  | 1    | 18152 | Sechskantschraube DIN 933 M8x80 | Hexagon bolt            | Vis à tête hexagonale                   |
| 1.04  | 1    | 18152 | Sechskantschraube DIN 933 M8x80 | Hexagon bolt            | Vis à tête hexagonale                   |
| 4.00  | 1    | 16464 | Druckregulierschraube           | Pressure pin            | Vis de pression                         |
| 4.01  | 1    | 16465 | Federdruckplatte                | Spring steel disc       | Disque H61acier à ressort               |
| 5.00  | 1    | 16466 | Riemenspannschraube             | V-belt tensioning screw | Vis de tension de courroie trapézoïdale |
| 5.01  | 1    | 18663 | Sechskantmutter DIN 934 M12     | Hexagon nut             | Ecrou hexagonal                         |
| 6.00  | 1    | 16468 | Deckelschloss                   | Lock                    | Ecrouer                                 |
| 6.01  | 1    | 16469 | Befestigungsschraube            | Mounting screws         | Vis de fixation                         |
| 6.02  | 1    | 16470 | Schlossraste                    | Lock                    | Ecrouer                                 |
| 6.03  | 1    | 16471 | Befestigungsschraube            | Mounting screws         | Vis de fixation                         |
| 7.00  | 1    | 16472 | Stiftschraube                   | Pin screw               | Boulon fileté                           |
| 7.01  | 2    | 14810 | Sechskantmutter DIN 934 M8      | Hexagon nut             | Ecrou hexagonal                         |
| 7.02  | 1    | 16474 | Rändelmutter                    | Thumb nut               | Ecrou moletée                           |
| 8.00  | 1    | 16475 | Abdeckhaube                     | Cover                   | Recouvrement                            |
| 8.01  | 2    | 16476 | Halteschraube                   | Supporting screw        | Fixation de vis                         |
| 8.02  | 2    | 14829 | Scheibe DIN125 M10              | Washer                  | Rondelle                                |
| 8.03  | 1    | 14603 | Walzenschutz seitlich           | protection cover [tech  | couvercle protection                    |
| 8.04  | 1    | 16478 | Distanzbuchse                   | Spacer sleeve           | Coussinet                               |
| 8.05  | 1    | 16479 | Federring                       | Split washer            | Rondelle grower                         |
| 9.00  | 1    | 16480 | Deckelscharnier                 | Hinge                   | Charnière                               |
| 9.01  | 1    | 14809 | Sechskantmutter DIN 934 M6      | Hexagon nut             | Ecrou hexagonal                         |
| 10.00 | 1    | 16482 | Hauben-Scharnierbolzen          | Gear shaft              | Axe                                     |
| 10.01 | 1    | 16483 | Sechskantmutter DIN 934 M6      | Hexagon nut             | Ecrou hexagonal                         |
| 11.00 | 1    | 14604 | Anlaufrad                       | Bumper wheels           | Roulettes tampon                        |
| 11.01 | 1    | 18264 | Zylinderschraube DIN912 M6x35   | Cylindrical screw       | Vis à tête cylindrique                  |
| 11.02 | 1    | 14827 | Scheibe DIN125 M6               | Washer                  | Rondelle                                |
| 11.03 | 1    | 14809 | Sechskantmutter DIN 934 M6      | Hexagon nut             | Ecrou hexagonal                         |
| 12.00 | 1    | 16487 | Langlocheisen                   | Supporting plate        | Tôle de support                         |
| 12.01 | 1    | 14730 | Zylinderschraube DIN912 M6x20   | Cylindrical screw       | Vis à tête cylindrique                  |
| 12.02 | 1    | 14827 | Scheibe DIN125 M6               | Washer                  | Rondelle                                |
| 12.03 | 1    | 16490 | Stossgummileiste                | Rubber washer           | Pare-choc en caoutchouc                 |
| 13.00 | 1    | 14605 | Schleifwalze neu Viper          | grinding roll           | Chariot                                 |
| 14.00 | 2    | 16491 | Spannwalzenhalter               | Tension flange          | Bride de serrage                        |
| 14.01 | 1    | 14606 | Druckfeder                      | Pressure spring         | Ressort                                 |
| 14.02 | 1    | 16492 | Druckstück                      | Press plate             | Plaque de serrer                        |
| 14.03 | 1    | 16493 | Befestigungsschraube            | Mounting screws         | Vis de fixation                         |
| 14.04 | 1    | 14811 | Sechskantmutter DIN 934 M10     | Hexagon nut             | Ecrou hexagonal                         |
| 14.05 | 1    | 16495 | Spannhebel                      | Tension pin             | Goupille de serrage                     |



| Pos   | Stck | SAP   | Bezeichnung                   | Description             | Dénomination                            |
|-------|------|-------|-------------------------------|-------------------------|---|
| 14.06 | 1    | 14607 | Ballengriff                   | Handle                  | Manette                                 |
| 14.07 | 1    | 16496 | Halteschraube                 | Supporting screw        | Fixation de vis                         |
| 14.08 | 1    | 17676 | Sechskantmutter DIN 936 M8    | Hexagon nut             | Ecrou hexagonal                         |
| 14.09 | 1    | 16498 | Haltebolzen                   | Bracket                 | Fixation                                |
| 14.10 | 1    | 17651 | Zylinderschraube DIN912 M8x16 | Cylindrical screw       | Vis à tête cylindrique                  |
| 14.14 | 1    | 16906 | Scheibe DIN440 9x28x3         | Washer                  | Rondelle                                |
| 14.15 | 1    | 14736 | Zylinderschraube DIN912 M8x30 | Cylindrical screw       | Vis à tête cylindrique                  |
| 14.16 | 1    | 16502 | Scheibe DIN 9021/6,4          | Washer                  | Rondelle                                |
| 15.00 | 1    | 14619 | Umlenkrollenwelle             | Roller                  | Bobine                                  |
| 15.02 | 1    | 14620 | Haltemutter                   | Supporting nut          | Fixation de ecrou                       |
| 15.03 | 1    | 14831 | Scheibe DIN125 M16            | Washer                  | Rondelle                                |
| 15.04 | 1    | 14622 | Aussenrolle                   | Outer tube              | Tube extérieur                          |
| 15.05 | 1    | 14623 | Kugellager                    | Ball bearing            | Roulement à billes                      |
| 15.06 | 1    | 14726 | Zylinderschraube DIN912 M6x12 | Cylindrical screw       | Vis à tête cylindrique                  |
| 15.07 | 1    | 14625 | Innenrolle                    | Roller                  | Bobine                                  |
| 15.08 | 1    | 14626 | Kugellager                    | Ball bearing            | Roulement à billes                      |
| 15.09 | 1    | 14627 | Pendellager                   | Pendular suspension     | Suspension pendulaire                   |
| 15.10 | 1    | 14628 | Simmerring innen              | Oil seal inboard        | Joint torique de dans                   |
| 15.11 | 1    | 14629 | Laufrolle                     | Bearing race            | Bague de roulement                      |
| 15.12 | 2    | 14630 | Sicherungsring                | Safety washer           | Anneau d'étanchéité                     |
| 15.14 | 2    | 18091 | Sicherungsring I35/472        | Safety washer           | Anneau d'étanchéité                     |
| 15.15 | 2    | 14855 | Sicherungsring I47/472        | Safety washer           | Anneau d'étanchéité                     |
| 15.16 | 1    | 17724 | Scheibe 6,4/9021              | Washer                  | Rondelle                                |
| 15.17 | 1    | 14634 | Simmerring aussen             | Oil seal ambient        | Joint torique extérieur                 |
| 15.18 | 1    | 18097 | Sicherungsring A25/471        | Safety washer           | Anneau d'étanchéité                     |
| 15.19 | 1    | 16360 | Paßscheibe                    | Adjusting washer        | Rondelle d'ajustage                     |
| 16.00 | 1    | 14608 | Schleifwalzenwelle            | Shaft grinding roll     | Chariot de arbre                        |
| 16.01 | 1    | 16504 | Walzenkeil                    | Cotter                  | Coin                                    |
| 16.02 | 1    | 16505 | Riemenscheibenkeil            | Fan belt                | Courroie trapézoïdale                   |
| 17.00 | 1    | 14609 | Walzenbefestigungsmutter      | Nut                     | Ecrou                                   |
| 17.01 | 1    | 16957 | Unterlegscheibe               | Washer                  | Rondelle                                |
| 18.00 | 1    | 14610 | Walzenlager A-Seite           | Bearing                 | Roulement                               |
| 21.00 | 1    | 14611 | Walzenlager B-Seite           | Bearing                 | Roulement                               |
| 21.01 | 1    | 14853 | Sicherungsring A30/471        | Safety washer           | Anneau d'étanchéité                     |
| 23.00 | 1    | 14613 | Walzenriemenscheibe           | V-belt tensioning screw | Vis de tension de courroie trapézoïdale |
| 24.00 | 1    | 14614 | Befestigungsmutter            | fastening nut           | Ecrou                                   |
| 24.01 | 1    | 16957 | Unterlegscheibe               | Washer                  | Rondelle                                |
| 25.00 | 1    | 16507 | Walzenlagerflansch            | Bearing flange          | Roulement de bride                      |
| 25.01 | 1    | 16508 | Befestigungsschraube          | Mounting screws         | Vis de fixation                         |
| 25.05 | 2    | 14855 | Sicherungsring I47/472        | Safety washer           | Anneau d'étanchéité                     |
| 26.00 | 1    | 16509 | Lagerdeckel innen             | Beerling cover inboard  | Chapeau de palier de dans               |
| 26.01 | 1    | 16510 | Befestigungsschraube          | Mounting screws         | Vis de fixation                         |
| 27.00 | 1    | 16511 | Lagerdeckel aussen            | Beerling cover ambient  | Chapeau de palier H139                  |
| 27.01 | 1    | 16512 | Befestigungsschraube          | Mounting screws         | Vis de fixation                         |
| 28.00 | 1    | 16513 | Ventilatorflansch             | Lower flange            | Bride de ventilateur                    |
| 28.01 | 1    | 14731 | Zylinderschraube DIN912 M6x25 | Cylindrical screw       | Vis à tête cylindrique                  |
| 28.02 | 2    | 18091 | Sicherungsring I35/472        | Safety washer           | Anneau d'étanchéité                     |
| 33.00 | 1    | 14616 | Ventilatorwelle               | Shaft                   | Arbre                                   |
| 34.00 | 1    | 16514 | Lager-Distanzbuchse           | Spacer sleeve           | Coussinet                               |
| 34.01 | 1    | 16515 | Distanzbuchse                 | Spacer sleeve           | Coussinet                               |
| 35.00 | 2    | 14617 | Kugellager                    | Ball bearing            | Roulement à billes                      |
| 36.00 | 1    | 14618 | Ventilatorrad                 | Wheel valve             | Roue de vanne                           |



| Pos   | Stck | SAP   | Bezeichnung                      | Description            | Dénomination                 |
|-------|------|-------|----------------------------------|------------------------|------------------------------|
| 36.01 | 1    | 14830 | Scheibe DIN934 M12               | Washer                 | Rondelle                     |
| 36.02 | 1    | 18663 | Sechskantmutter DIN912 M12       | Hexagon nut            | Ecrou hexagonal              |
| 37.00 | 1    | 16387 | Lenkerkopfgehäuse                | Steering wheel         | Roue directrice avec freins  |
| 38.00 | 1    | 16388 | Gehäusedeckel                    | Housing cover          | Bloc de boîtier              |
| 38.01 | 1    | 16520 | Befestigungsschraube             | Mounting screws        | Vis de fixation              |
| 38.02 | 1    | 16657 | Halteschraube                    | Supporting screw       | Fixation de vis              |
| 38.04 | 1    | 16658 | Ringmutter                       | Knurled nut            | Ecrous moletés               |
| 38.05 | 1    | 16659 | Fächerscheibe                    | Washer                 | Rondelles à dents            |
| 38.06 | 1    | 17651 | Zylinderschraube DIN912 M8x16    | Cylindrical screw      | Vis à tête cylindrique       |
| 39.00 | 1    | 16521 | Kabelhalterstütze                | Pier for cable clip    | Pilier d'erre-câble          |
| 39.01 | 1    | 14756 | Sechskantschraube DIN 7991 M6x16 | Hexagon bolt           | Vis à tête hexagonale        |
| 39.02 | 1    | 14736 | Zylinderschraube DIN912 M8x30    | Cylindrical screw      | Vis à tête cylindrique       |
| 39.03 | 1    | 16392 | Druckfeder                       | Pressure spring        | Ressort                      |
| 40.00 | 1    | 14548 | Kabelhalter                      | Cable clip             | Serre-câble                  |
| 41.00 | 1    | 16525 | Staubrohr                        | Dust pipe              | Tube collecteur de poussière |
| 42.00 | 2    | 16526 | Zugstange normal                 | Pull rod               | Barre                        |
| 43.00 | 1    | 16668 | Abhebegriff                      | Handle                 | Manette                      |
| 43.02 | 1    | 16669 | Distanzbuchse                    | Spacer sleeve          | Coussinet                    |
| 43.03 | 1    | 17724 | Scheibe DIN9021 6,4              | Washer                 | Rondelle                     |
| 43.04 | 1    | 14730 | Zylinderschraube DIN912 M6x20    | Cylindrical screw      | Vis à tête cylindrique       |
| 44.00 | 1    | 16672 | Gelenkstück                      | Joint                  | Articulation                 |
| 44.01 | 1    | 16673 | Einstellschraube                 | adjusting bolt         | vis de réglage               |
| 44.02 | 1    | 14809 | Sechskantschraube DIN 934 M6     | Hexagon bolt           | Vis à tête hexagonale        |
| 44.03 | 1    | 16675 | Augenschraube                    | Screw                  | Vis                          |
| 44.04 | 1    | 17724 | Scheibe DIN9021 6,4              | Washer                 | Rondelle                     |
| 44.05 | 1    | 14809 | Sechskantschraube DIN 934 M6     | Hexagon bolt           | Vis à tête hexagonale        |
| 44.06 | 1    | 16678 | Druckfeder                       | Pressure spring        | Ressort                      |
| 44.07 | 1    | 14827 | Scheibe DIN125 M6                | Washer                 | Rondelle                     |
| 45.00 | 1    | 16680 | Druckbuchse                      | Bushing                | Douille                      |
| 46.00 | 1    | 16279 | Handgriff rechts                 | Handle right           | Poignée de gauche            |
| 46.01 | 1    | 16682 | Handgriffrohr                    | Tube                   | Tube                         |
| 46.02 | 1    | 14829 | Scheibe DIN125 M10               | Washer                 | Rondelle                     |
| 46.03 | 1    | 16396 | Distanzbuchse                    | Spacer sleeve          | Coussinet                    |
| 46.04 | 1    | 16397 | Befestigungsschraube             | Mounting screws        | Vis de fixation              |
| 46.05 | 1    | 14828 | Unterlegscheibe DIN125 M8        | Washer                 | Rondelle                     |
| 46.06 | 1    | 14736 | Zylinderschraube DIN912 M8x30    | Cylindrical screw      | Vis à tête cylindrique       |
| 46.07 | 1    | 14828 | Scheibe DIN125 M8                | Washer                 | Rondelle                     |
| 46.08 | 1    | 14831 | Scheibe DIN125 M16               | Washer                 | Rondelle                     |
| 46.09 | 1    | 14756 | Senkschraube DIN7991 M6x16       | Countersunk head screw | Vis à tête conique           |
| 47.00 | 1    | 16280 | Handgriff links                  | Handle left            | Poignée de droite            |
| 48.00 | 2    | 14549 | PVC Handgriff                    | Handle PVC             | Poignée PVC                  |
| 49.00 | 1    | 16404 | Hebelbolzen                      | Gear shaft for lever   | Axe d'levier                 |
| 50.00 | 1    | 16405 | Ballengriff                      | Handle                 | Manette                      |
| 51.00 | 1    | 16535 | Lenkradgabel                     | Flat                   | Molette                      |
| 51.01 | 2    | 18091 | Sicherungsring DIN472 I35        | Safety washer          | Anneau d'étanchéité          |
| 52.00 | 1    | 16537 | Kugellager innen                 | Ball bearing inboard   | Roulement à billes H139      |
| 53.00 | 1    | 16538 | Kugellager aussen                | Ball bearing ambient   | Roulement à billes extérieur |
| 55.00 | 1    | 16539 | Schwenkachse                     | Bushing axle           | Douille de axe               |
| 55.01 | 1    | 16540 | Kontermutter                     | counter nut            | Ecrou                        |
| 56.00 | 1    | 16411 | Kontermutter                     | counter nut            | Ecrou                        |
| 56.01 | 1    | 16541 | Unterlegscheibe                  | Washer                 | Rondelle                     |
| 57.00 | 1    | 16542 | Lenkradachse                     | Axle                   | Axe                          |



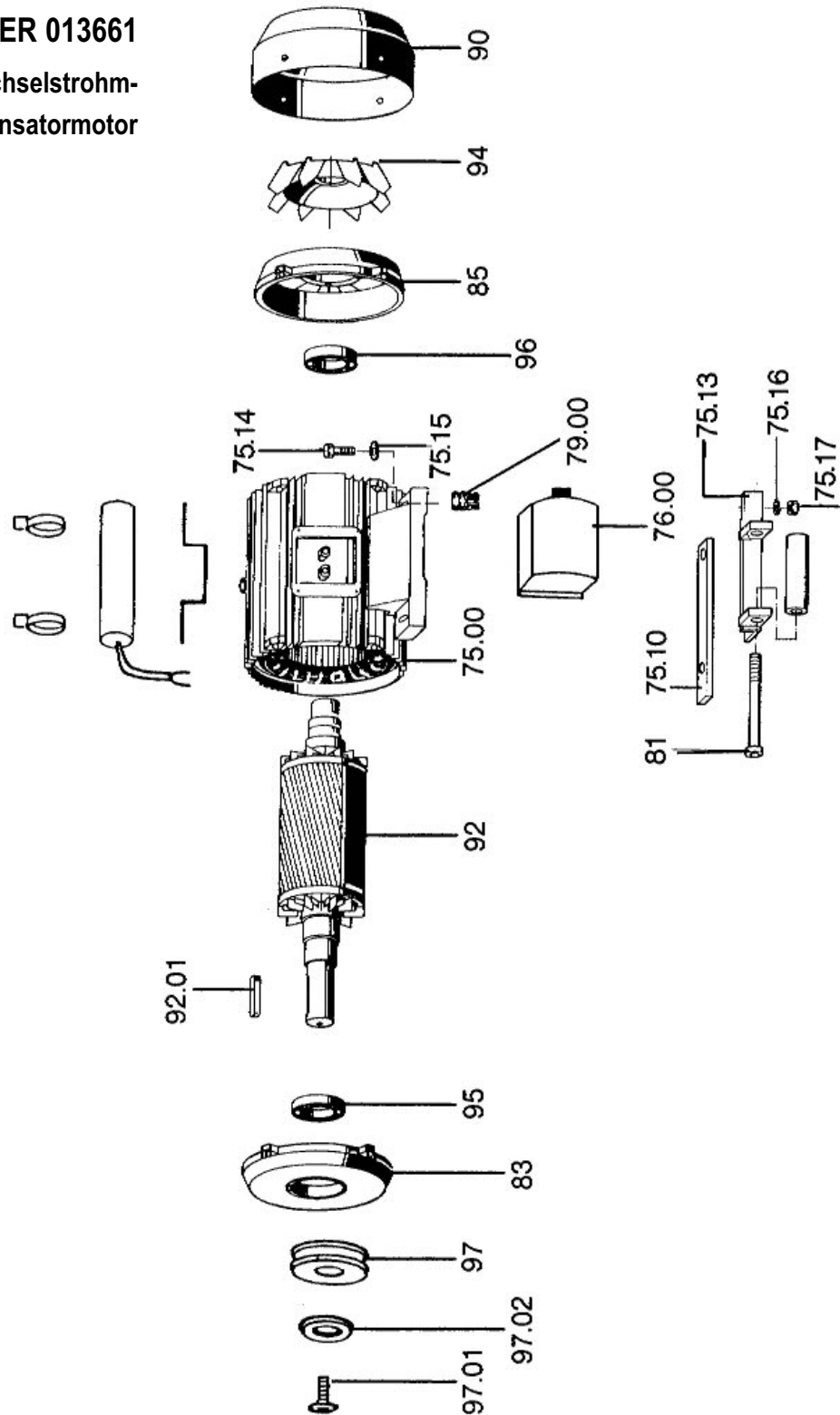
| Pos   | Stck   | SAP   | Bezeichnung                            | Description            | Dénomination                |
|-------|--------|-------|--|------------------------|-----------------------------|
| 57.03 | 2      | 16543 | Befestigungsschraube                   | Mounting screws        | Vis de fixation             |
| 57.04 | 1      | 18101 | Sicherungsring A15/471                 | Safety washer          | Anneau d'étanchéité         |
| 58.00 | 1      | 16545 | Lenkradfelge                           | Rim                    | Jante                       |
| 58.01 | 2      | 14550 | Kugellager                             | Ball bearing           | Roulement à billes          |
| 58.02 | 1      | 14551 | Vullcolanbelag                         | Coating                | Revêtement                  |
| 58.03 | 1      | 16546 | Felgendeckel                           | Cover for Rim          | Couvercle                   |
| 58.04 | 1      | 16547 | Befestigungsschraube                   | Mounting screws        | Vis de fixation             |
| 58.05 | 2      | 16548 | Fächerscheibe                          | Washer                 | Rondelles à dents           |
| 59.00 | 1      | 16549 | Laufradfelge                           | Wheel                  | Roue                        |
| 59.01 | 2      | 14552 | Kugellager                             | Ball bearing           | Roulement à billes          |
| 59.02 | 1      | 14551 | Vulcolanbelag                          | Coating                | Revêtement                  |
| 59.03 | 1      | 16550 | Felgendeckel                           | Cover for Rim          | Couvercle                   |
| 59.04 | 1      | 16551 | Befestigungsschraube                   | Mounting screws        | Vis de fixation             |
| 60.00 | 1      | 16552 | Laufradachsbuchse                      | Bushing                | Boîte de glissement         |
| 60.01 | 1      | 16553 | Laufradachsschraube rechts             | Bushing screw right    | Boîte de glissement         |
| 60.03 | 1      | 16555 | Federring                              | Split washer           | Rondelle grower             |
| 60.04 | 1      | 18101 | Sicherungsring A15/471                 | Safety washer          | Anneau d'étanchéité         |
| 60.05 | 1      | 18152 | Sechskantschraube DIN 933 M8x80        | Hexagon bolt           | Vis à tête hexagonale       |
| 60.06 | 1      | 18152 | Sechskantschraube DIN 933 M8x80        | Hexagon bolt           | Vis à tête hexagonale       |
| 61.00 | 1      | 16489 | Excenter                               | Excenter               | Excentrique                 |
| 62.00 | 1      | 16566 | Fahrwerkhebel                          | Lever                  | Levier                      |
| 62.01 | 2      | 18101 | Sicherungsring A15/471                 | Safety washer          | Anneau d'étanchéité         |
| 63.00 | 1      | 16558 | Fahrwerkhebel                          | Lever                  | Levier                      |
| 63.01 | 1      | 14736 | Zylinderschraube DIN912 M8x30          | Cylindrical screw      | Vis à tête cylindrique      |
| 64.00 | 1      | 14554 | Druckfeder                             | Pressure spring        | Ressort                     |
| 68.00 | 1      | 17551 | Zylinderschraube DIN912 M8x50          | Cylindrical screw      | Vis à tête cylindrique      |
| 68.01 | 1      | 16561 | Distanzbuchse                          | Spacer sleeve          | Coussinet                   |
| 68.02 | 1      | 14810 | Sechskantmutter DIN 934 M8             | Hexagon nut            | Ecrou hexagonal             |
| 68.03 | 1      | 16563 | Sterngriff                             | Star grip              | Poignée-étoile              |
| 73.00 | 1      | 16564 | Tragegriff                             | Grip                   | Poignée                     |
| 73.01 | 1      | 16565 | Unterlegscheibe                        | Washer                 | Rondelle                    |
| 73.02 | 1      | 18663 | Sechskantmutter DIN 934 M12            | Hexagon nut            | Ecrou hexagonal             |
| 75.00 | 1      | 33365 | Motor kompl, m. Sockel + Riemenantrieb | Motor compl.           | Moteur compl.               |
| 75.00 | 1      | 33366 | Motor ohne Sockel + Riemenantrieb      | Motor                  | Moteur                      |
| 75.10 | 1      | 16570 | Sockeleisen vorn                       | Plate                  | Ecran                       |
| 75.13 | 1      | 16571 | Motorsockel                            | Motor base plate       | Partie inférieure du moteur |
| 75.14 | 1      | 14775 | Sechskantschraube DIN 933 M8x25        | Hexagon bolt           | Vis à tête hexagonale       |
| 75.15 | 1      | 14828 | Scheibe DIN125 M8                      | Washer                 | Rondelle                    |
| 75.16 | 1      | 16573 | Federring                              | Split washer           | Rondelle grower             |
| 75.17 | 1      | 14810 | Sechskantmutter DIN 934 M8             | Hexagon nut            | Ecrou hexagonal             |
| 76.00 | 1      | 14542 | Schalterkasten kpl.                    | Switch housing compl.  | Couvercle de levier comp,   |
| 77.02 | 1      | 14588 | Kondensator 30 mf                      | Condenser              | Condensateur                |
| 77.00 | o. Abb | 14543 | Schaltereinsatz                        | Switch                 | Partie commutation          |
| 77.00 | o. Abb | 14544 | Schalterknebel                         | Switching bracket      | Bielle de commande          |
| 79.00 | o. Abb | 16575 | Netzkabel +Stecker                     | Power cable with plug  | Cordon d'alimentation       |
| 79.01 | 1      | 33368 | Cecon-Kupplung                         | Clutch                 | Accouplement                |
| 80.00 | 1      | 16576 | Motorschraube                          | Motor screws           | Vis du moteur               |
| 81.00 | 1      | 16577 | Steckachsenschraube                    | Screw                  | Vis                         |
| 83.00 | 1      | 16578 | Lagerschild vorn                       | Bearing plate ahead    | Bouclier-palier devant      |
| 85.00 | 1      | 16579 | Lagerschild hinten                     | Bearing plate backward | Bouclier-palier au fond     |
| 90.00 | 1      | 16580 | Lüfterhaube                            | Fan cover              | Ventilateur couvercle       |
| 90.01 | 1      | 16581 | Befestigungsschraube                   | Mounting screws        | Vis de fixation             |



| <b>Pos</b> | <b>Stck</b> | <b>SAP</b> | <b>Bezeichnung</b>                 | <b>Description</b> | <b>Dénomination</b>        |
|------------|-------------|------------|------------------------------------|--------------------|----------------------------|
| 92.00      | 1           | 16354      | Rotor mit Welle                    | Rotor 53           | Rotor 53                   |
| 92.01      | 1           | 16582      | Passfeder                          | Nut key            | Ressort d'ajustage         |
| 92.02      | 1           | 16583      | Wellring                           | Ring               | Ring                       |
| 94.00      | 1           | 14545      | Motorventilator                    | Motor-van          | Nan du moteur              |
| 95.00      | 1           | 16584      | Kugellager vorn                    | Ball bearing ahead | Roulement à billes devant  |
| 96.00      | 1           | 14546      | Kugellager                         | Ball bearing       | Roulement à billes         |
| 97.00      | 1           | 14547      | Motorriemenscheibe                 | Motor belt disc    | Poulie du moteur           |
| 97.01      | 1           | 16585      | Befestigungsschraube               | Mounting screws    | Vis de fixation            |
| 97.02      | 1           | 16906      | Scheibe DIN440 M9x28x3             | Washer             | Rondelle                   |
| 98.00      | 1           | 16567      | Riemenschutzhaube                  | Cover              | Couvercle protection       |
| 98.01      | 1           | 17659      | Zylinderschraube DIN912 M6x45+D126 | Cylindrical screw  | Vis à tête cylindrique     |
| 99.00      | o. Abb      | 14555      | Staubstasack                       | Dust bag           | Sac à poussière            |
| 100.00     | 1           | 14557      | Ventilator-Keilriemen              | Fan belt short     | Courroie trapézoïdale bref |
| 102.00     | o. Abb      | 16569      | Werkzeugtasche                     | Tools bag          | Sac à outils               |
| 102.05     | o. Abb      | 16590      | Stiftschlüssel 5mm                 | Pin spanner        | Clé à ergots               |
| 102.06     | o. Abb      | 16591      | Stiftschlüssel 6mm                 | Pin spanner        | Clé à ergots               |
| 102.08     | o. Abb      | 16592      | Stiftschlüssel 8mm                 | Pin spanner        | Clé à ergots               |
| 102.10     | o. Abb      | 16593      | Stiftschlüssel 10mm                | Pin spanner        | Clé à ergots               |



**VIPER 013661**  
**Einphasen-Wechselstrom-**  
**Kondensatormotor**





**Für Ihre Notizen:**

